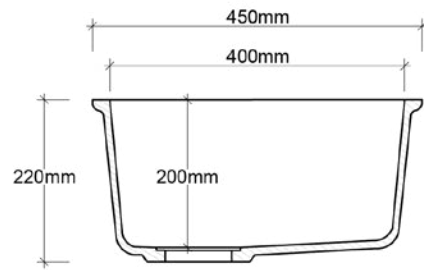
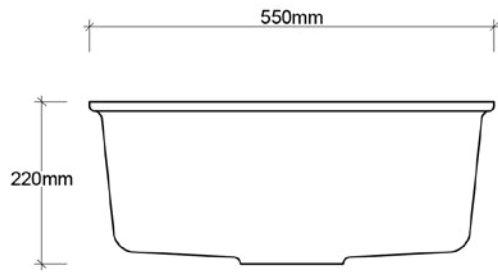


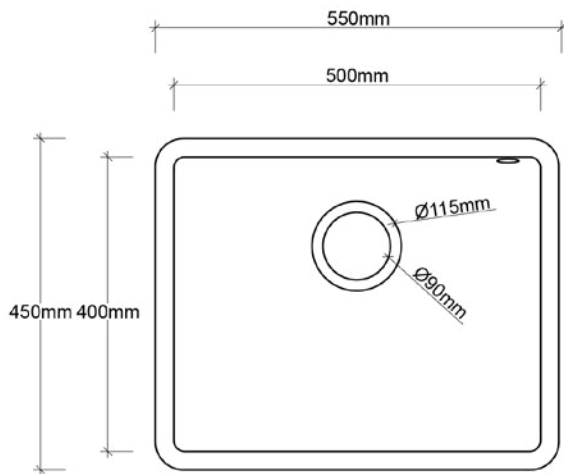


Durasein® Sink & Bowl Information

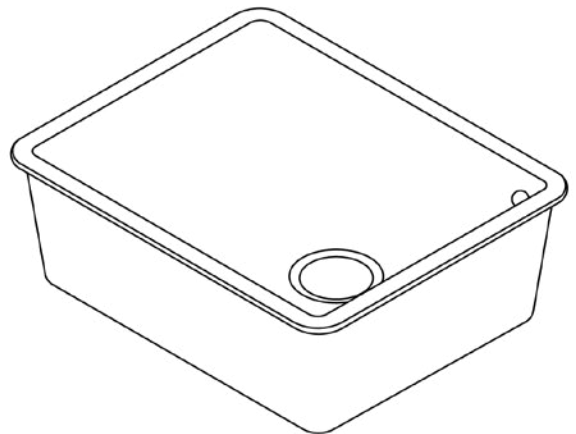
NAME
THE EDMUND
MODEL
RLD153AE
TOLERANCE
±5MM



A-A



A





Durasein®

Sink & Bowl Information

MODEL
RLD153AE

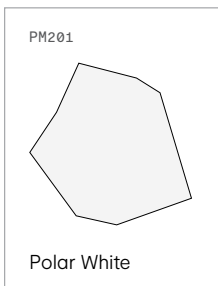
Features & Benefits

- 100% acrylic
- Easy to clean
- Non-porous
- Stain resistant
- Mold & mildew resistant
- Suitable for residential & commercial applications
- Overflow : External (drain kit required)

Installation Tips

- Undermount
- No tap holes
- Drain assembly not included
- Drain hole size: 90mm

Available Colors



Color shown may vary from actual product. Request sample prior to product selection. We'd love to create something a little more custom for you, longer lead times with minimum order quantity applies.

Codes/Standards/Tech Info

- Durasein sinks and bowls are CE compliant
- All dimensions are nominal
- Details and specifications are subject to change

Internal Dimensions

- Length 550mm
- Width 450mm
- Height 220mm

Durasein® Limited Warranty

- 10 year limited warranty against manufacturing defects under normal use

See website for detailed warranty information. Durasein reserves the right to make reservations without notice to product specifications. For the most current information, visit durasein.co.nz.